

Introduction

As a member of the British Healthcare Trade Association, Urology Trade Association and the Association of Continence Advisors, Great Bear demonstrates a high level of commitment to the urology industry and prides itself on maintaining a high level of product quality.

Such levels of commitment and quality are recognised in the accreditation for ISO quality standards. This ensures all products are CE marked in accordance with the European Directive 93/42/EEC and assessing sterile processes for sterility through an MHRA accredited body.

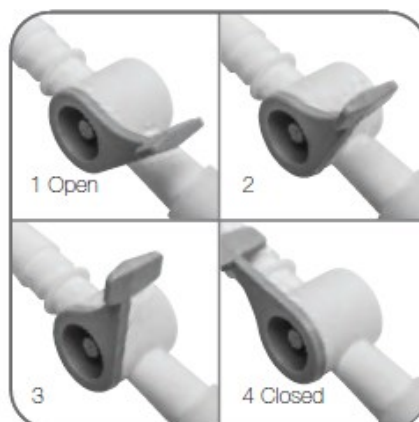
All products are latex free.

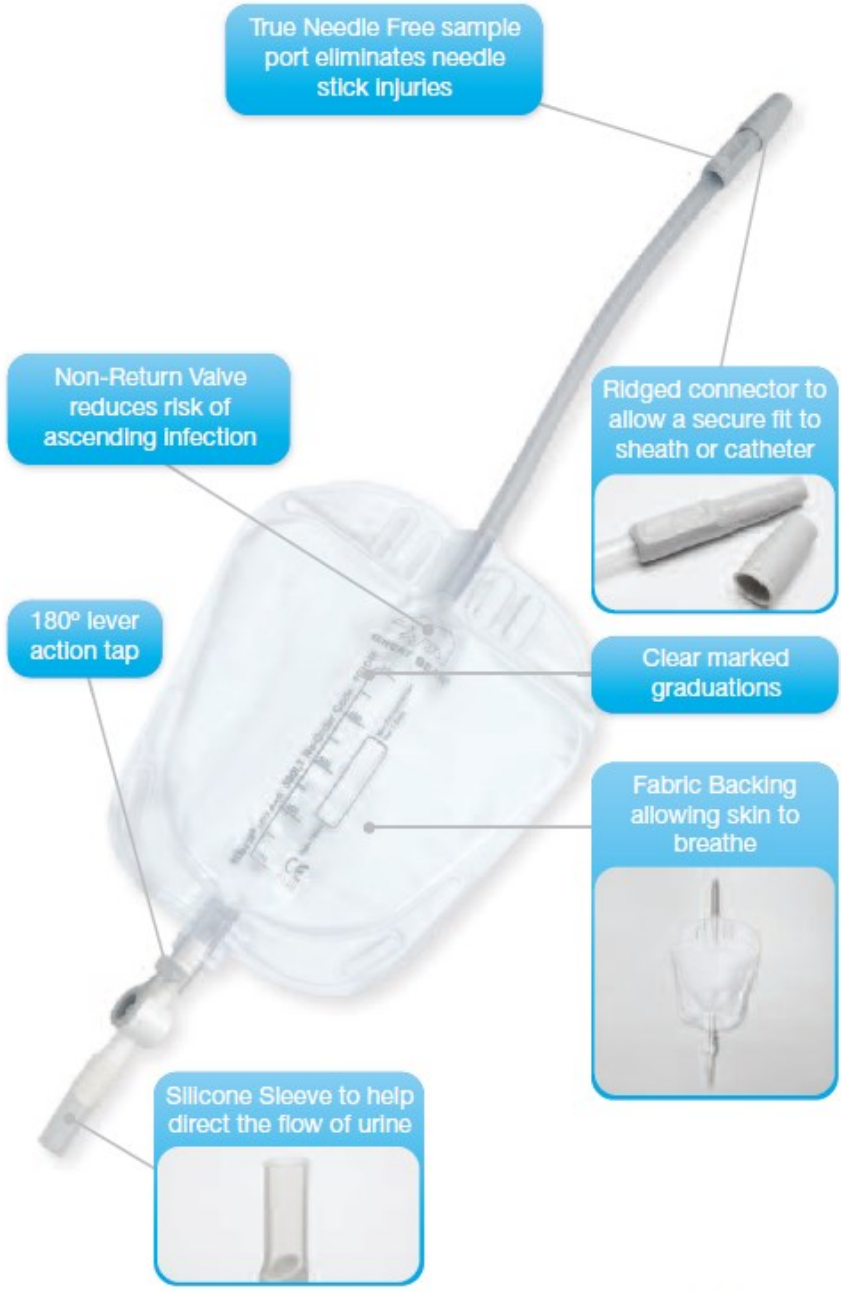


Libra Leg Bag

Key Features:

- True needle-free sample port which eliminates needle-stick injuries
- 180° lever action tap which can be used single handedly and is simple to operate and secure. Moulded onto the tap are raised ridges so the user can immediately identify if the tap is in the open or closed position. This is especially helpful to those customers with impaired vision
- Tap can be swivelled for maximum comfort and to eliminate accidental opening and leaks
- Silky, smooth fabric backing allows the skin to breathe whilst being comfortable and silent to wear
- The Non-Return Valve reduces the risk of ascending infections
- Ridged connector to allow a secure fit to the sheath or catheter
- Silicone tube on the outlet tap ensures a secure connection to the night bag if being used as part of an overnight link system
- 'Date fitted' box for easy monitoring of how long the Libra leg bag has been in use





Libra Leg Bag

Ordering Information

Order Codes	Capacity	Tube Length	Quantity	PIP Code
10130G	350ml	Direct Inlet	10	361-2991
10131H	500ml	Direct Inlet	10	361-3007
10132J	750ml	Direct Inlet	10	361-3015
10133K	1000ml	Direct Inlet	10	361-3023
10100A	350ml	Short 10cm	10	335-4354
10102C	500ml	Short 10cm	10	335-4388
10106G	750ml	Short 10cm	10	335-4347
10104E	500ml	Long 30cm	10	335-4370
10108J	750ml	Long 30cm	10	335-4404
10120W	1000ml	Long 30cm	10	342-9453
10105F	500ml	Adjustable 45cm	10	335-4362
10110L	750ml	Adjustable 45cm	10	335-4396
10122Y	1000ml	Adjustable 45cm	10	342-9461

Technical Information

Product Dimensions

	350ml	500ml	750ml	1000ml
Height (cm)	20.3	21.8	24.3	30
Width (cm)	16.4	17.3	18.3	17.8

Product Components

Connector & Needle Free: Polyvinyl chloride (PVC)

Cap: Polyethylene (PE)

Inlet tube: PVC

Front and back film: PVC

Fabric backing: Polyester

Outlet tube: PVC

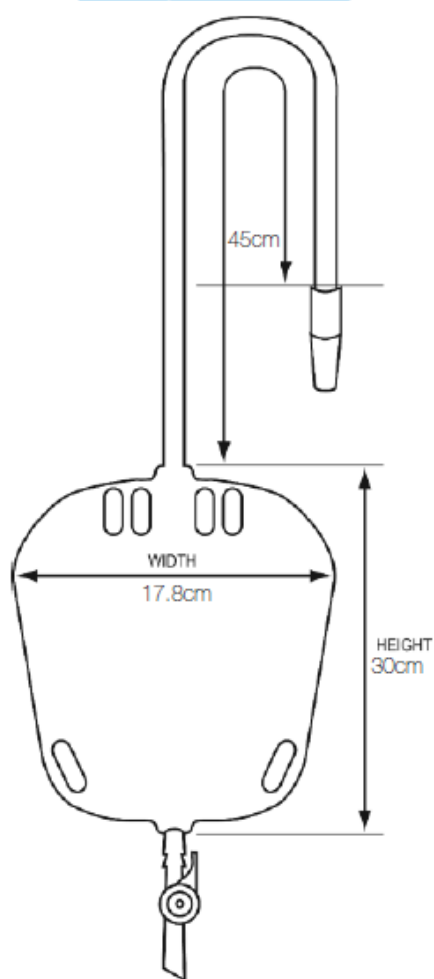
Lever action tap (main body): Polypropylene (PP)

Lever: High Density Polyethylene (HDPE)

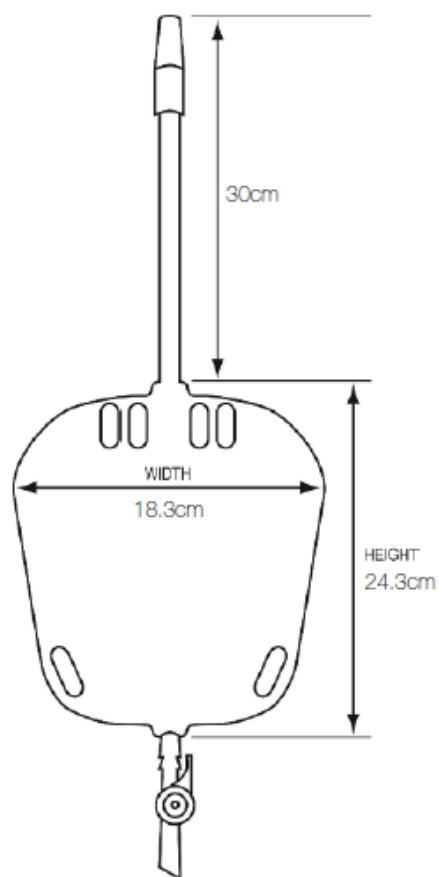
Silicone tube: Silicone

Technical Information

Libra leg bag
Adjustable Tube
eg. 1000ml

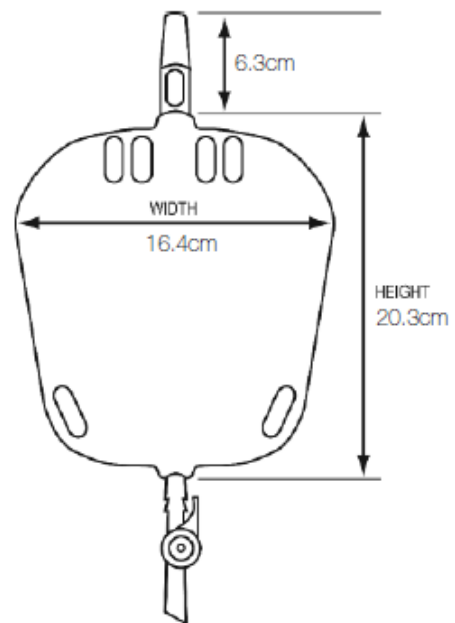
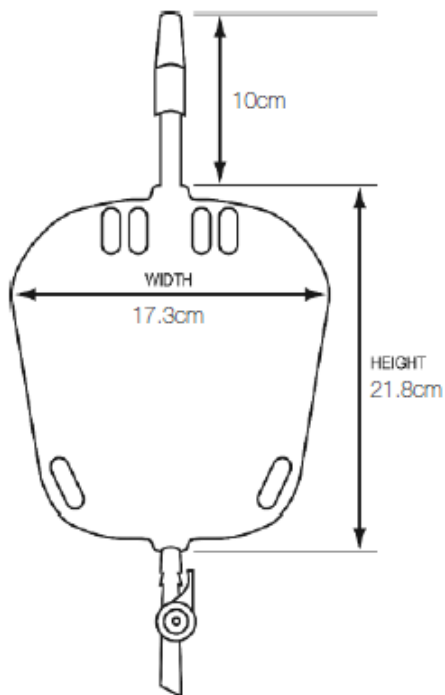


Libra leg bag
Long Tube
eg. 750ml



Libra leg bag
Short Tube
eg. 500ml

Libra leg bag
Direct Inlet
eg. 350ml



Overnight Link System

The Libra leg bag can be used as part of an overnight link system with a night bag. When using a leg bag as part of an overnight link system the leg bag must not be disconnected from the catheter or sheath. The leg bag is connected to the night bag by a silicone sleeve at the outlet tap of the leg bag.

Once securely connected, turn the Libra leg bag tap to the open position to allow the overnight drainage of urine into the night bag.

Our single-use night bag the GB3S, GB3 can be used as part of an overnight link system and disposed of after use. Our reusable night bag, the GB4, has a life in use of, on average, 5-7 days and, if required, must be rinsed in-between uses according to guidelines set by your Healthcare Professional.



Night Bags

Great Bear's range of Night Bags cater for every individual's needs and requirements.

The night bags are available in a 2-litre capacity and can be supplied as sterile, single-use or non-sterile.



GB4

The Great Bear GB4 is a sterile, drainable 2 litre urine drainage bag with a lever action tap. It can be connected directly to a leg bag, catheter or sheath.

Key Features:

- 180° lever action tap which can be used single-handedly and is simple to operate and secure
- In-use life of approximately 5-7 days
- 'Date fitted' box for easy monitoring of how long the GB4 has been in use
- Flexible, wide bore tubing allowing easy drainage into bag
- A true needle-free sample port which eliminates needle-stick injuries
- Punched out hanger holes which allow the GB4 to be used with a night stand





GB4 - Technical Information

Product Dimensions

Height (cm)	30
Width (cm)	20

Product Components

Connector & Needle Free:
Polyvinyl chloride (PVC)

Cap: Polyethylene (PE)

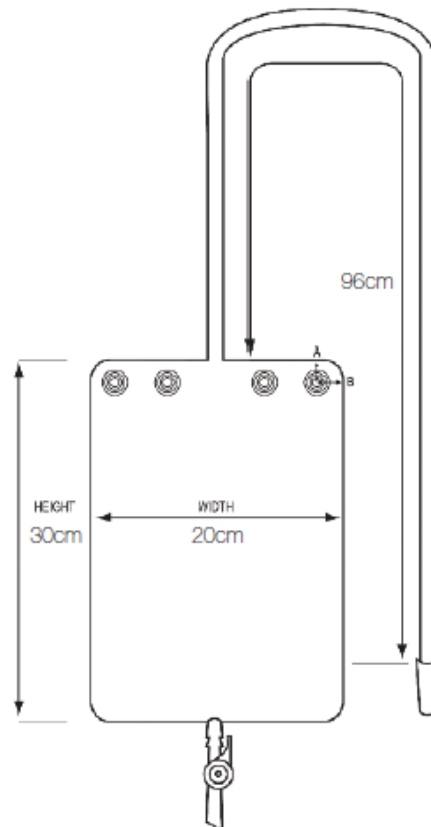
Inlet tube: PVC

Front and back film: PVC

Outlet tube: PVC

Lever action tap (main body):
Polypropylene (PP)

Lever: High Density Polyethylene (HDPE)



Ordering Information

Order Codes	Capacity	Tube Length	Quantity	PIP Code
10400W	GB4, 2 litre, sterile and reusable with lever action tap	96cm	10	335-4321

GB3S

A sterile and single-use Night Bag giving Healthcare Professionals a greater choice when deciding on the most appropriate night bag for the individual.



GB3S

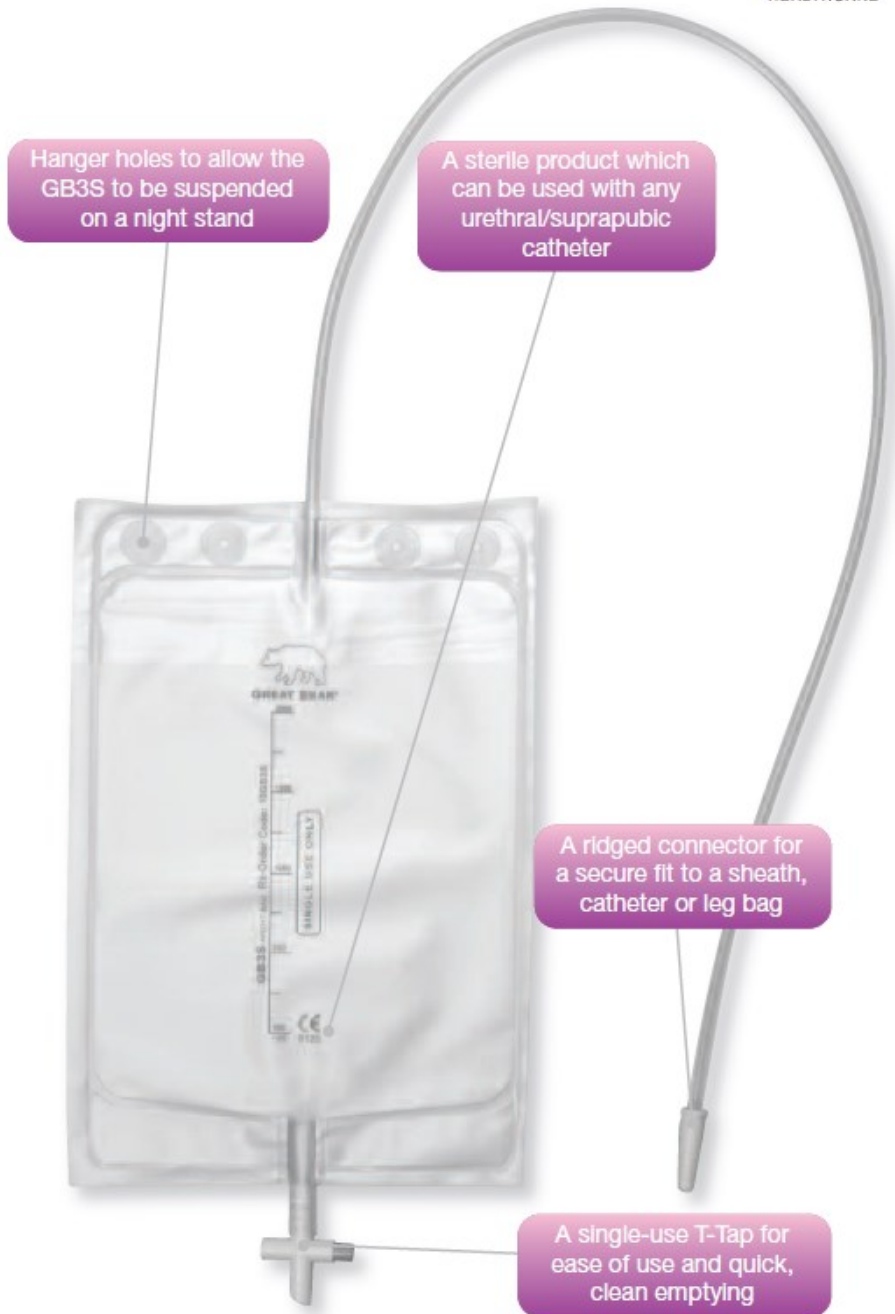
A sterile, single-use Night Bag designed specifically for individuals who are vulnerable and susceptible to infections and where a non-sterile Night Bag is inappropriate.

The majority of single-use bags are non-sterile and cannot therefore be used with an indwelling catheter, thus limiting Healthcare Professional and patient choice. The GB3S was designed to remedy this issue and offer greater choice.

Key Features:

- Sterile, single-use night bag that can be used directly with any indwelling or suprapubic catheter
- Individually pouched in a poly bag of 10
- Eliminates the need to reuse night bags – saving the individual time without compromising on sterility
- Single-use T-tap which, once activated, cannot be reused.





GB3S - Technical Information

Product Dimensions

Height (cm) 31.4

Width (cm) 20.6

Product Components

Connector:

Polyvinyl chloride (PVC)

Cap: Polyethylene (PE)

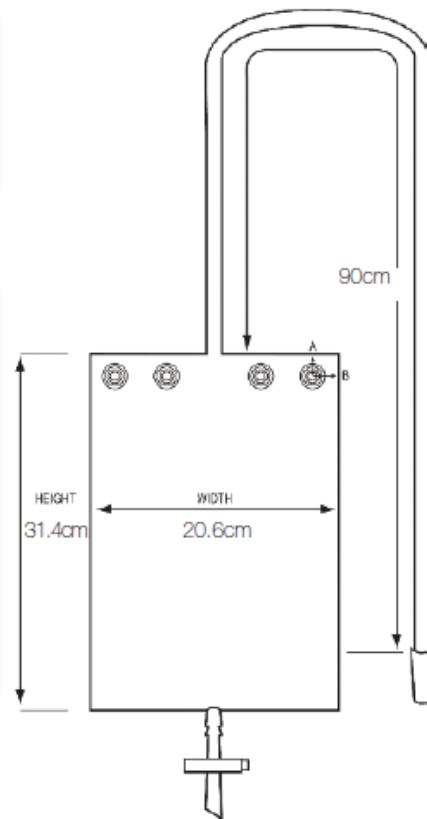
Inlet tube: PVC

Front and back film: PVC

Outlet tube: PVC

T Tap (main body):

Polypropylene (PP)

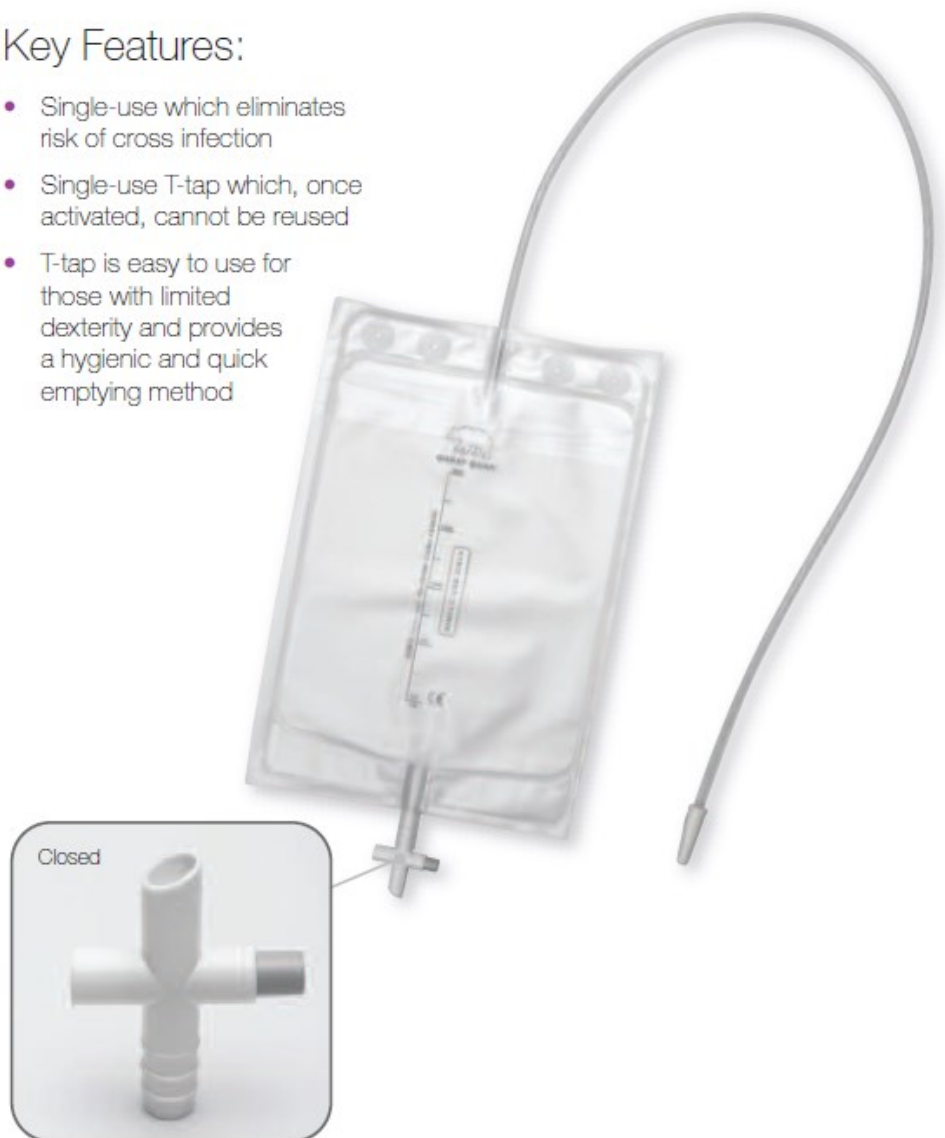


Ordering Information

Order Codes	Capacity	Tube Length	Quantity	PIP Code
10GB3S	GB3S 2-litre, sterile with single-use T-tap	90cm	10	365-4837

Key Features:

- Single-use which eliminates risk of cross infection
- Single-use T-tap which, once activated, cannot be reused
- T-tap is easy to use for those with limited dexterity and provides a hygienic and quick emptying method



GB3 - Technical Information

Product Dimensions

Height (cm) 31.4

Width (cm) 20.6

Product Components

Connector:

Polyvinyl chloride (PVC)

Cap: Polyethylene (PE)

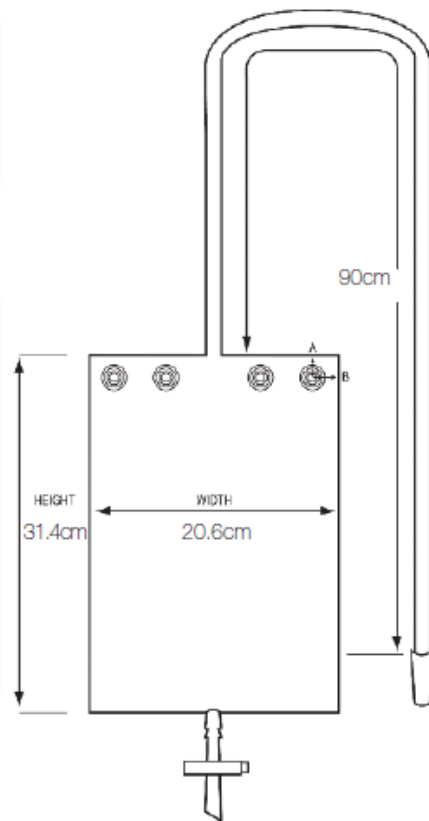
Inlet tube: PVC

Front and back film: PVC

Outlet tube: PVC

T Tap (main body):

Polypropylene (PP)



Ordering Information

Order Codes	Capacity	Tube Length	Quantity	PIP Code
10303V	GB3 2-litre, non-sterile with single-use T-tap	90cm	10	342-9479

Key Features:

- Single-use which eliminates risk of cross infection
- Tear open welded strip at the top of the bag to allow quick and easy emptying



GB2 - Technical Information

Product Dimensions

Height (cm)	28.2
Width (cm)	18.8

Product Components

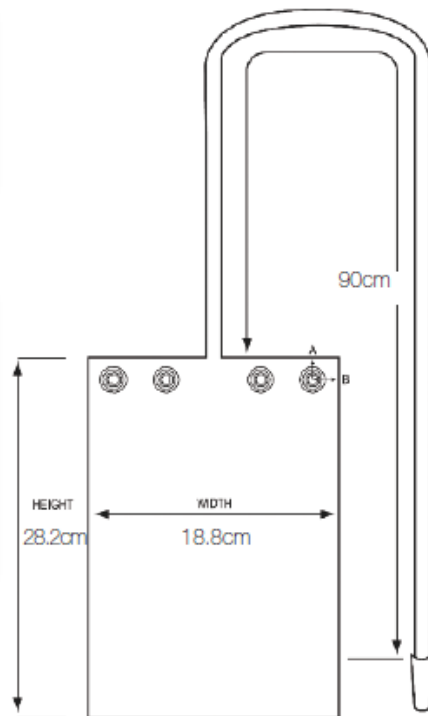
Connector:

Polyvinyl chloride (PVC)

Cap: Polyethylene (PE)

Inlet tube: PVC

Front and back film : PVC



Ordering Information

Order Codes	Capacity	Tube Length	Quantity	PIP Code
10300S	GB2 2-litre, non-sterile, non-drainable	90cm	10	335-4339

Accessories

Great Bear manufactures a range of accessories aimed at providing security and peace of mind for the user. They are a universal design and can be used in conjunction with Great Bear's range of products or any other manufacturers.

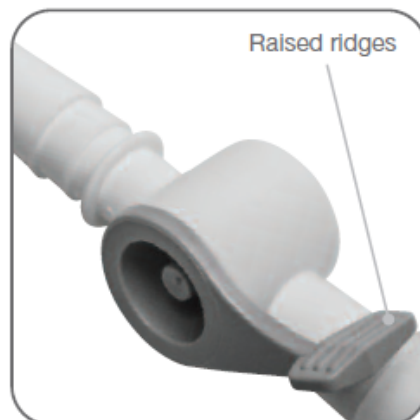


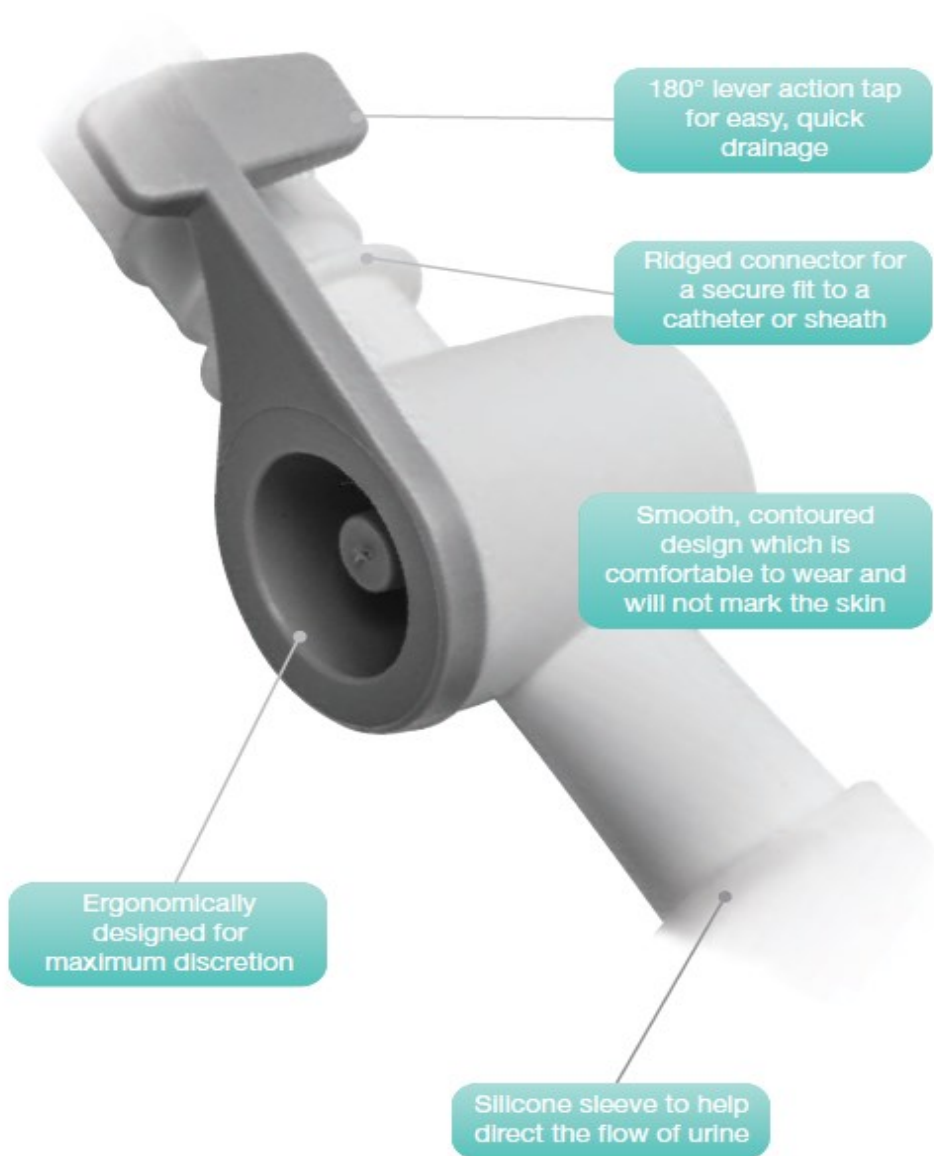
Libra Lever Catheter Valve

The Libra lever catheter valve is a sterile product and is individually pouched in packs of 5. It is a tap-like device and has been designed to fit all urethral and suprapubic catheters and sheaths.

Key Features:

- 180° lever action tap is easy to use, especially for those with limited dexterity
- The open and closing system is secure giving the user peace of mind and confidence
- The lever is flush to the main body of the catheter valve making it more comfortable to wear
- The ridged connector allows a secure connection with no slippage
- The silicone sleeve helps to direct the flow of urine
- Moulded onto the tap are raised ridges (see below) so the user can immediately identify if the tap is in the open or closed position. This is especially helpful for customers with impaired vision.





Libra Lever Catheter Valve - Technical Information

Ordering Information

Order Codes	Product Description	Pack Size	PIP Code
10540A	Libra lever catheter valve with 180° lever action tap	5	342-9487

Libra Lever Catheter Valve – Product Components

Lever action tap (main body): Polypropylene (PP)

Lever: High Density Polyethylene (HDPE)

Silicone tube: Silicone

GB Fix-it

A catheter retainer strap with 2 silicone fixation strips to help secure the catheter or leg bag tubing to the leg comfortably and discreetly.



GB Fix-it

The GB fix-it is a reusable strap designed to secure a catheter or leg bag tube. It is available in a range of sizes:

- Short: for children
- Adult: for adults
- Abdominal: to fit around the waist

Key Features:

- It can retain any indwelling or suprapubic catheter as well as any leg bag tubing
- It has a secure velcro fastening which is simple to use
- The 2 silicone lines on the back ensure a secure fit and eliminate slippage
- Raised tab on the fix-it strap allows a better grip for the individual
- The GB fix-it helps reduce pulling on the catheter that can lead to urethral/abdominal pain



Clear labelling denoting size and washing instructions on the reverse

Elasticated strap for security and comfort



Silicone lines for a more secure fit

Raised tab for a better grip

GB Fix-it - Technical Information

Ordering Information

Order Codes	Product Description	Size	Pack Size	PIP Code
10644A	GB fix-it Adult	45cm	5	348-9184
10645B	GB fix-it Abdominal	80cm	5	348-9192
10646C	GB fix-it Short	35cm	5	348-9176

Technical Information

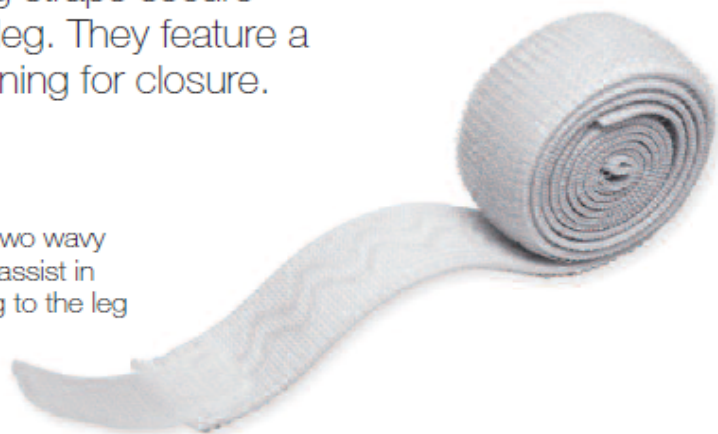
Order Codes	Dimensions	Product Components	
10644A	45cm (5% shrinkage)	GB fix-it Strap Polyester - 38% Polyamide - 30% Spandex - 17% Silicone - 15%	GB fix-it Tie PVC
10645B	80cm (5% shrinkage)		
10646C	35cm (5% shrinkage)		

Libra Leg Bag Straps

The Libra leg bag straps secure a leg bag to the leg. They feature a velcro style fastening for closure.

Key Features:

- On the reverse are two wavy silicone lines which assist in securing the leg bag to the leg
- The strap is 25mm wide with a tapered velcro fastening
- The tapered ends ensure the velcro fastening does not dig into the patient's skin and assists the patient when unfastening the leg bag strap
- Stretchable to provide a comfortable and flexible fit



Size Information:

- 70cm/30cm: used with a long or adjustable tube leg bag which is predominantly worn on the calf
- 60cm/40cm: used with a short tube leg bag which is predominantly worn on the thigh
- The Libra leg bag strap can be cut to size

Libra Leg Bag Straps - Technical Information

Ordering Information

Order Codes	Product Description	Size	Pack Size	PIP Code
10622C	Libra leg bag strap – calf with non-slip backing	70cm/30cm can be cut to size	10 (5 pairs)	342-9503
10637T	Libra leg bag strap – thigh with non-slip backing	60cm/40cm can be cut to size	10 (5 pairs)	342-9495

Technical Information

Order Codes	Dimensions	Product Components
10622C	70cm/30cm for use on calf	Polyester - 38% Polyamide - 30% Spandex - 17% Silicone - 15%
10637T	60cm/40cm for use on thigh	

Libra Leg Bag Holder

The Libra leg bag holder is a popular method of securing a leg bag and can be used on its own, or in conjunction with a leg bag strap.

Key Features:

The Libra leg bag holder:

- Encases the bag offering maximum support, comfort and security to the user
- Is available in a range of sizes to ensure a correct fit:
 - Small
 - Medium
 - Large
 - Extra Large
- Has a higher cotton count compared to others in the market. This provides greater comfort. Lessens skin irritation and allows the skin to breathe
- Universal design so can be used with any leg bag



Libra Leg Bag Holder - Technical Information

Ordering Information

Order codes	Product Description	Size	Pack Size	PIP Code
10660S	Libra leg bag holder S	35cm-45cm	4	348-9200
10655M	Libra leg bag holder M	45cm-65cm	4	348-9218
10654L	Libra leg bag holder L	55cm-80cm	4	348-9226
10665X	Libra leg bag holder XL	65cm-90cm	4	348-9234

Technical Information

Order Codes	Dimensions	Product Components
10660S	30cm-45cm	53% Polyester 30% Cotton 17% Elastane
10655M	45cm-65cm	
10654L	55cm-80cm	
10665X	65cm-90cm	

cubCATH

A sterile, hydrophilic coated catheter with exceptionally smooth eyes and a lubricious coating, ensuring user comfort on insertion and removal.



cubCATH

cubCATH is a sterile, hydrophilic coated catheter for intermittent catheterisation. It is available in packs of 30 in a comprehensive range of sizes. This range includes male, female and paediatric sizes. The cubCATH is a single-use device.

Key Features:

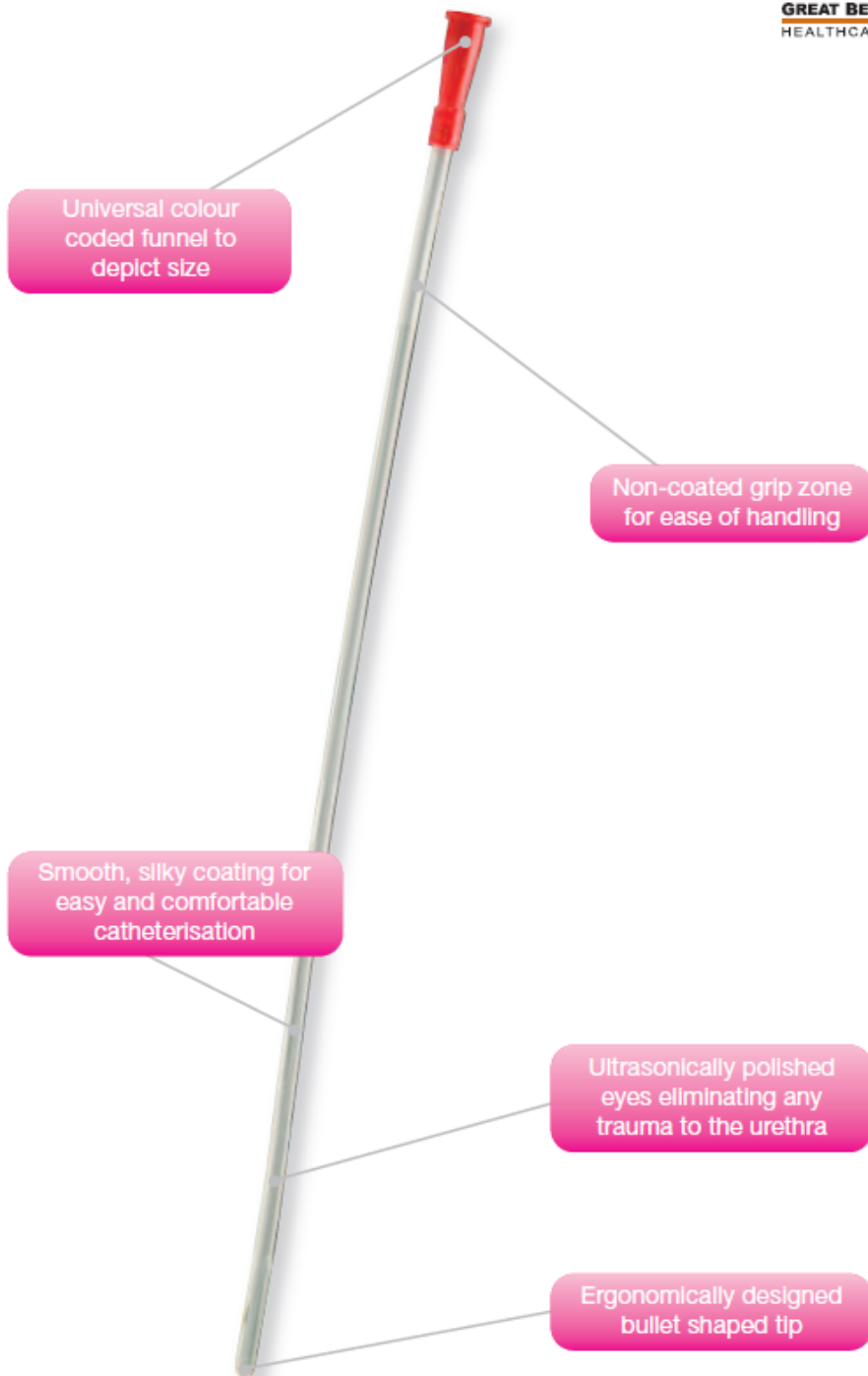
- The hydrophilic coating is water based so, when activated by water, the surface of the cubCATH will become lubricious. It only takes 30 seconds for the hydrophilic coating to become lubricated which allows the user time to prepare
- The eyes on the cubCATH are designed to be exceptionally smooth in use. They are polished and rounded to help protect the urethra from injury during insertion and removal
- Every cubCATH is manufactured with a non-coated grip zone. The grip zone allows the user to grip and direct the catheter whilst in use with greater control and accuracy
- The cubCATH is manufactured with a unique 'bullet-tipped' end for ease of insertion and greater patient comfort

Colour coded funnel



Smooth Silky coating





cubCATH

Ordering Information

Order Codes	Type	Charriere Size	Length	Pack Size	PIP Code
AVP06	Paediatric	06Ch	30cm	30	335-4198
AVP08	Paediatric	08Ch	30cm	30	335-4206
AVP10	Paediatric	10Ch	30cm	30	335-4214
AVF08	Female	08Ch	20cm	30	335-4156
AVF10	Female	10Ch	20cm	30	335-4164
AVF12	Female	12Ch	20cm	30	335-4172
AVF14	Female	14Ch	20cm	30	335-4180
AVM10	Male	10Ch	40cm	30	335-4222
AVM12	Male	12Ch	40cm	30	335-4230
AVM14	Male	14Ch	40cm	30	335-4248
AVM16	Male	16Ch	40cm	30	335-4255

cubCATH Technical Information

Product Dimensions

	A	B (Grip Zone)	C
Male	4cm	5cm	36cm
Female	4cm	3.6cm	14cm
Paediatric	4cm	5cm	25cm

Product Components

Medical Grade PVC





The Great Bear Urology range of products can be supplied through Pat Coakley Medical Ltd.

Contact:



Units E3 E4 Network Enterprise Park, Kilcoole, Co Wicklow, IRELAND



+353 1 2018070



+353 1 2018074



www.patcoakleymedical.ie